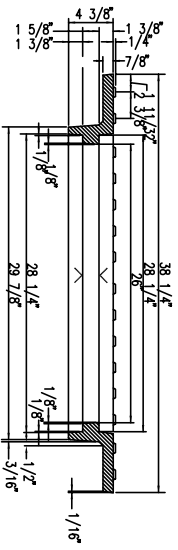


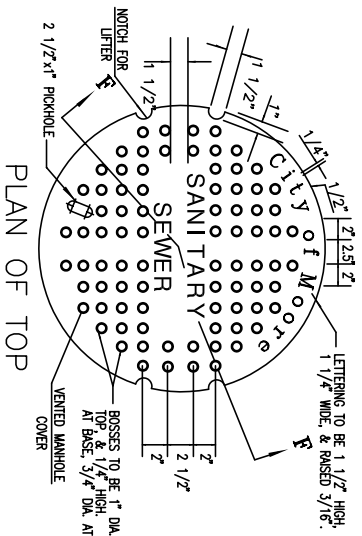
REVERSIBLE FRAME FOR TYPE "A"
OR TYPE "B" INSTALLATION

N.T.S.

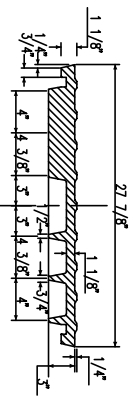


SECTION

As Shown for "Out of Paving" Installation Type "B"
Reversed for "In Paving" Installation Type "A"

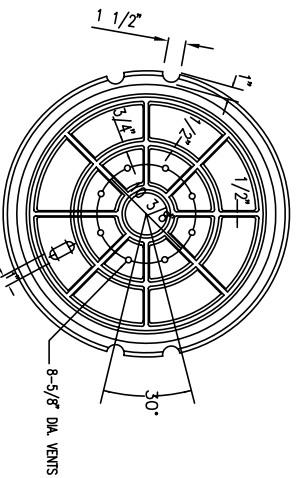


PLAN OF TOP

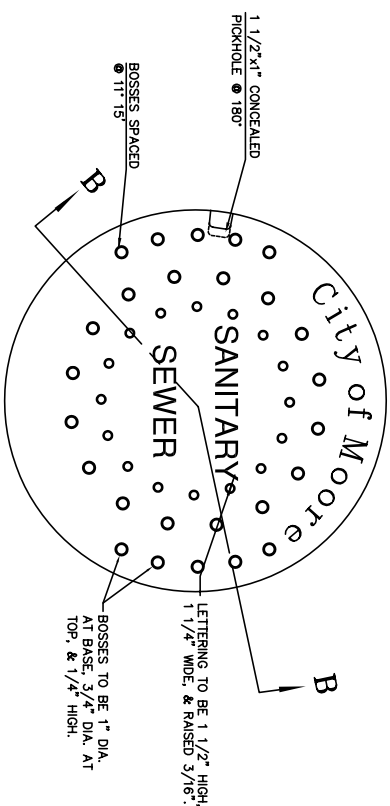


SECTION F-F

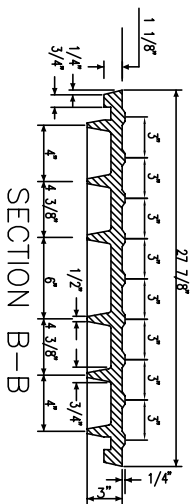
STANDARD COVER FOR
TYPE "B" INSTALLATION
N.T.S.



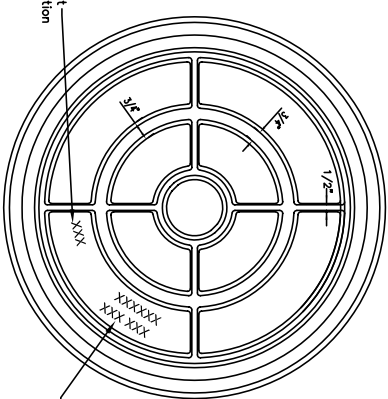
PLAN OF UNDERSIDE



PLAN OF TOP

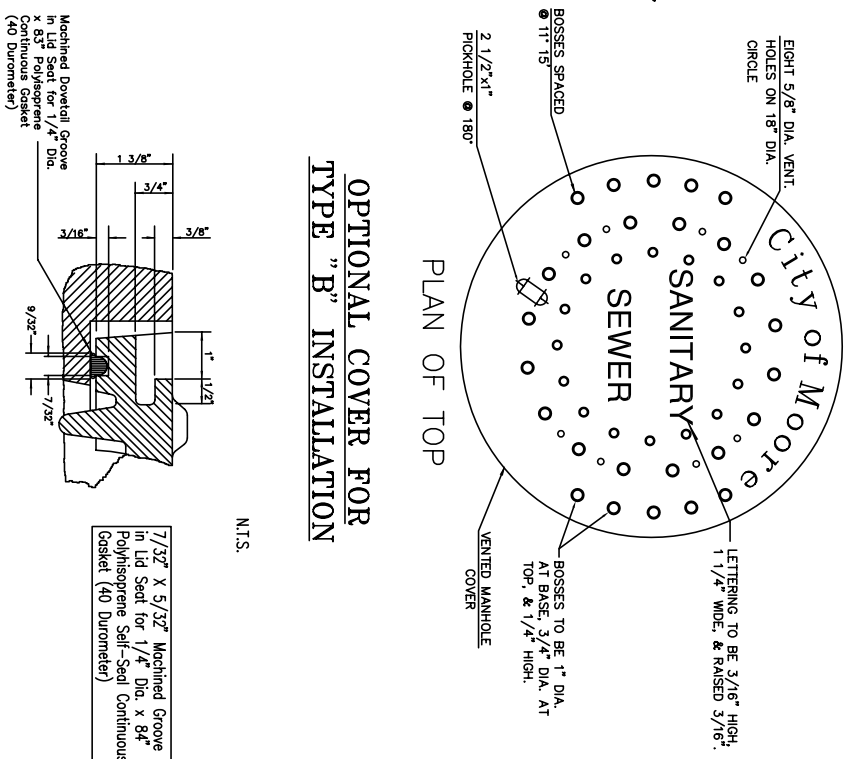


SECTION B-B

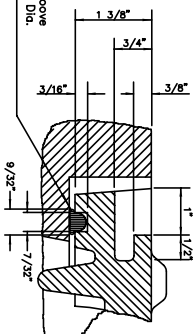


PLAN OF UNDERSIDE

STANDARD COVER FOR
TYPE "A" INSTALLATION
N.T.S.



PLAN OF TOP



N.T.S.

OPTIONAL COVER FOR
TYPE "B" INSTALLATION
N.T.S.

Machined Dovetail Groove
in Lid Seat for 1/4" Dia.
x 83" Polyisoprene
Self-Seal Gasket
(40 Durometer)


7/32" x 5/32" Machined Groove
in Lid Seat for 1/4" Dia. x 84"
Polyisoprene Self-Seal Continuous
Gasket (40 Durometer)

GENERAL NOTES

1. All construction and materials shall be in accordance with the current specifications.
2. Sharp edges resulting from fabrication shall be dulled by any acceptable method for safety in handling.
3. Covers shall be gray iron conforming to the requirements of AASHTO M-105, class 45B or ASTM A-48-76, Class 35B. Frame shall be gray iron conforming to the requirements of AASHTO M-105, Class 30B or ASTM 4-48-76, Class 30B Ferrous Castings shall be of uniform quality, free of blowholes, porosity, hard spots, shrinkage, distortion or other defects. They shall be smooth and well cleaned by shot blasting or other approved cleaning method.
4. All castings shall be manufactured true to pattern, component parts shall fit together in a satisfactory manner. Where indicated, machined surfaces shall be furnished.
5. Weights are approximate and average deviation from the weights shown shall not exceed 5% plus or minus.
6. Castings shall be unpainted.
7. No wording or markings of any kind, other than those shown on the plan will be permitted on these castings.
8. All Type "A" installations shall have self-sealing feature as shown.

CASTING WEIGHTS

Reversible Frame	235 lb. Standard
Type "B" Frame	300 lb.
Covers for Reversible Frame	195 lb.
Standard Type "B" Cover	251 lb.



The City of MOORE Oklahoma

Manhole Ring and Cover
Sanitary Sewer
Standard Details
No. 303

APPROVED BY: *[Signature]* DATE: 03/08/2008
DESIGNED BY: *[Signature]* CITY ENGINEER

REVISION: 03/05/2008